

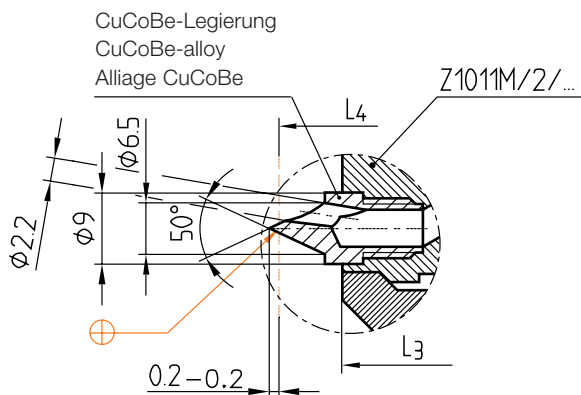
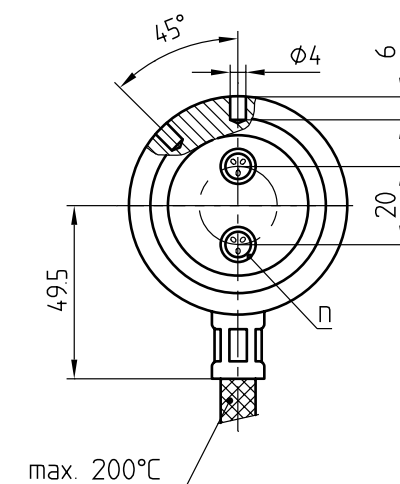
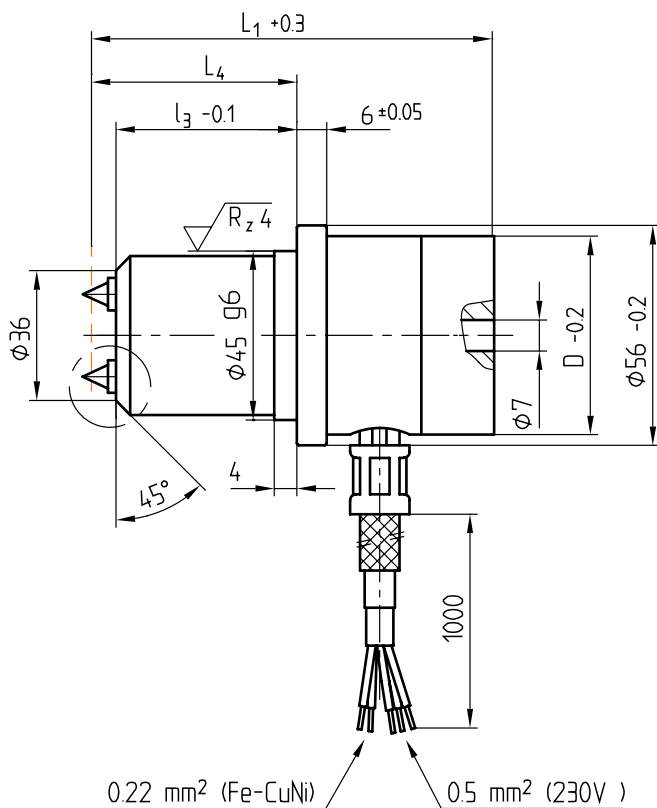
Z101M/2/...

230 V~

⎓⁺ = Fe-CuNi



► Info



max. °C	Watt	l_3	L_4	Typ	n	D	L_1	Nr./No.
280	400	31	40	50x78	2	50	78	Z101 M/2/50x78

This is trial version
www.adultpdf.com